

Ordering Information

ESA7M - XX 1801 P 2 - 47

Contact Area Plating P:Post 2:Tray
 G1: Gold Flash
 G4: 15 u"
 G5: 30 u"

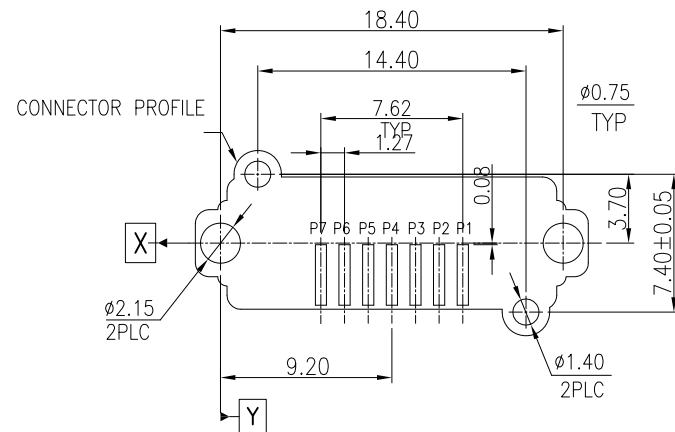
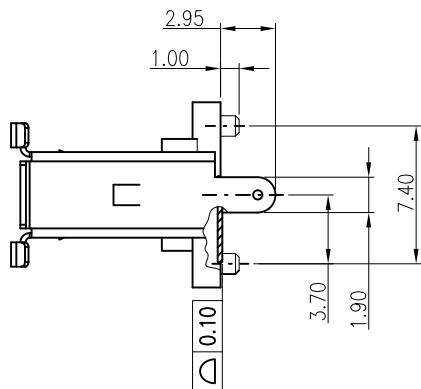
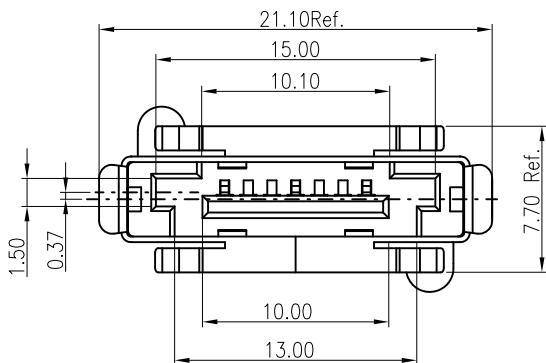
NOTES:

1.MATERIAL:

HOUSING:LCP 30% G/F UL94 V-0, COLOR:BLACK
 CONTACT:PHOSPHOR BRONZE
 BOARD LOCK:BRASS

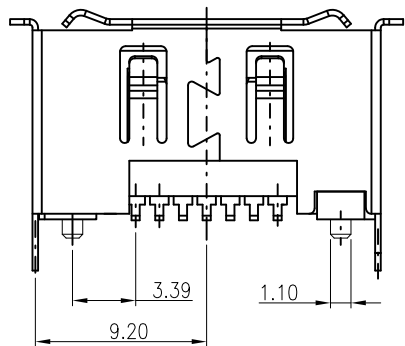
2.FINISH:

CONTACT:GOLD PLATING ON CONTACT AREA
 TIN PLATING ON SOLDERTAILS
 NICKEL UNDERPLATING OVER ALL
 BOARD LOCK:TIN PLATING ON SOLDERTAILS
 NICKEL UNDERPLATING OVER ALL



RECOMMENDED PCB LAYOUT 1.6t
 PCB TOLERANCE:±0.05

RoHS
 Compliant



REV.	REVISION RECORD	DATE	General Tolerances		
A	Original	09/01/09'	LINEAR 0.0 ±0.35		ANGLES ±3°
B	Revised	06/01/11'	UNIT: mm		
C	Revised	11/03/15'	A4	NAME	DATE
			APPROVED	SUNNY	
			DESIGNER	TED	
			DRAWN	WING	
			TITLE: ESATA 7P Male SMT Vertical with DIP Shell		
			DWG.NO.: ESA7M-XX1801P2-47		REV. C
			SCALE	4 : 1	SHEET 1 OF 1

ARIBA
 TECHNOLOGY CO., LTD.